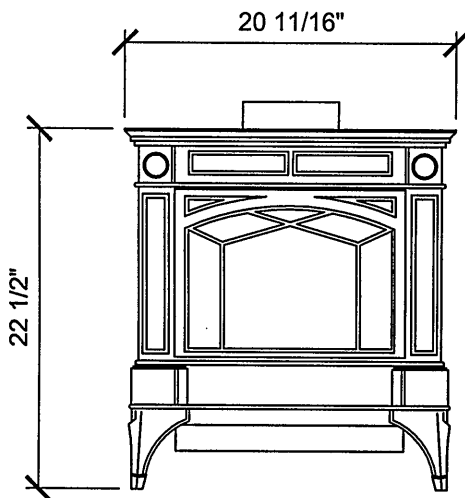
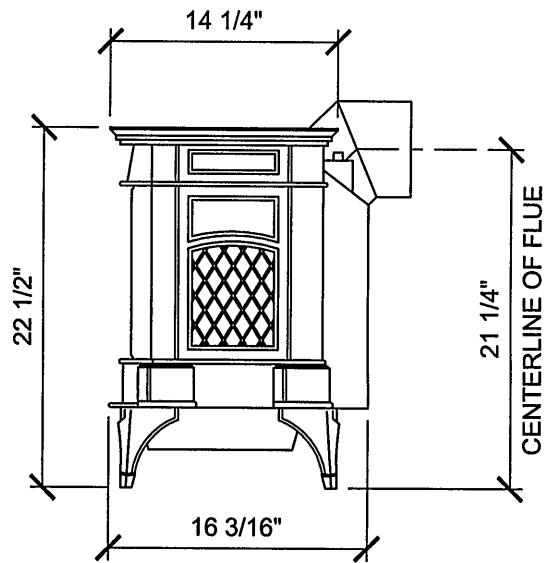


TOP VIEW



FRONT VIEW



SIDE VIEW



PROJECT TITLE:  
**FPI FIREPLACE PRODUCTS  
 INTERNATIONAL LTD.**

SHEET TITLE:  
**HAMPTON GAS STOVE - H15**

DATE:	FEB. 2005
DRAWN:	U.D.S. Ltd.
DESIGNED:	U.D.S. Ltd.
APPROVED:	

DRAWING No.: **H15** 1 of 1  
 REV.: 0