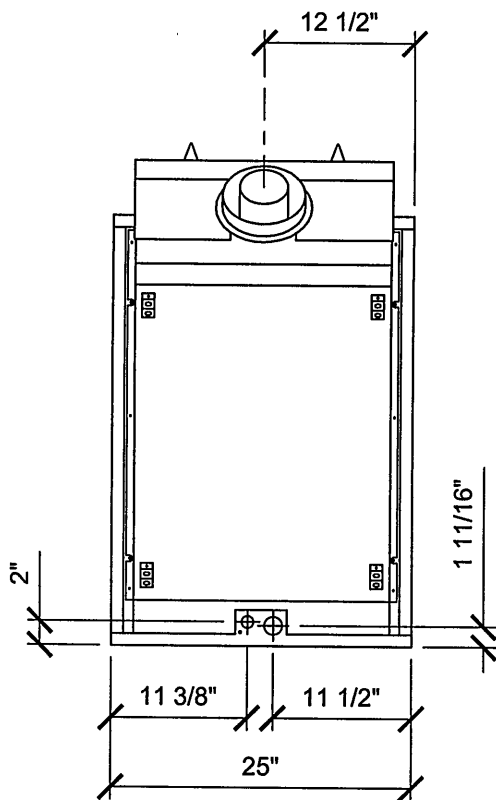
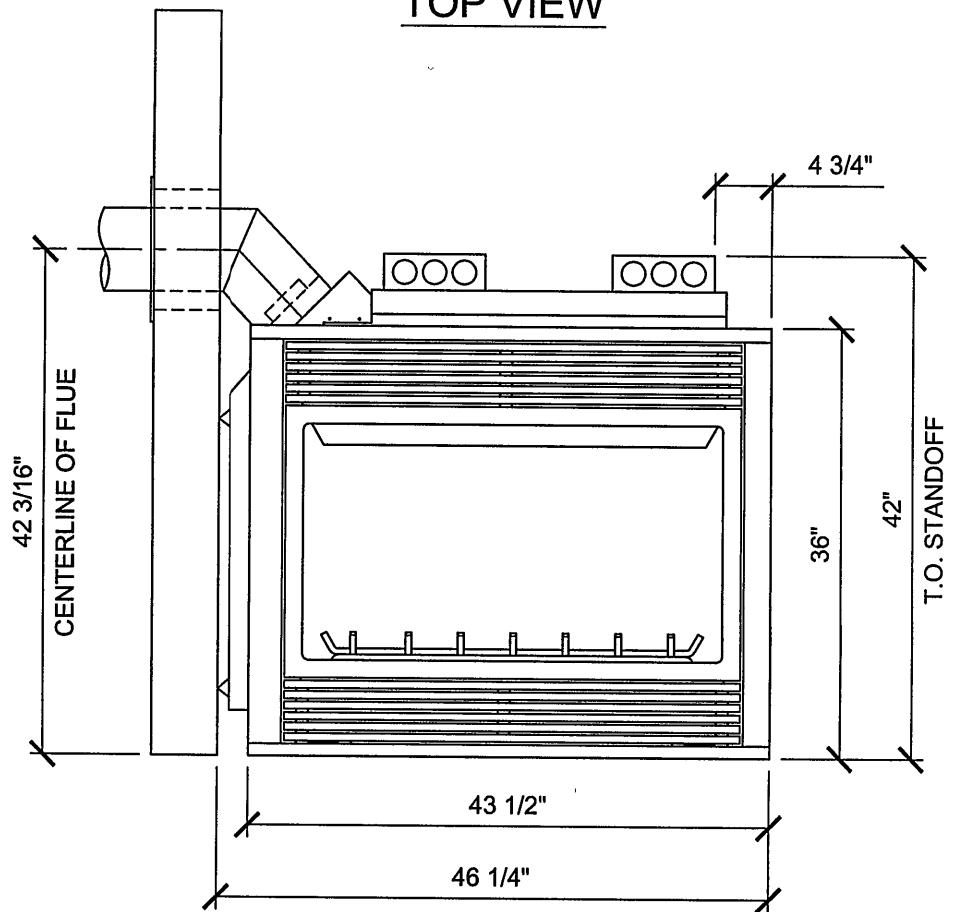


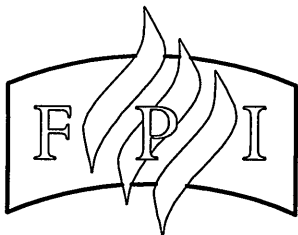
TOP VIEW



LEFT SIDE VIEW



FRONT VIEW

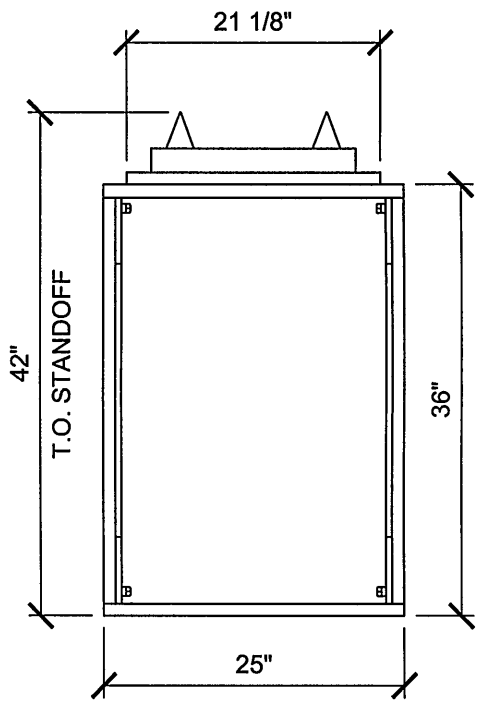


PROJECT TITLE:  
**FPI FIREPLACE PRODUCTS  
 INTERNATIONAL LTD.**

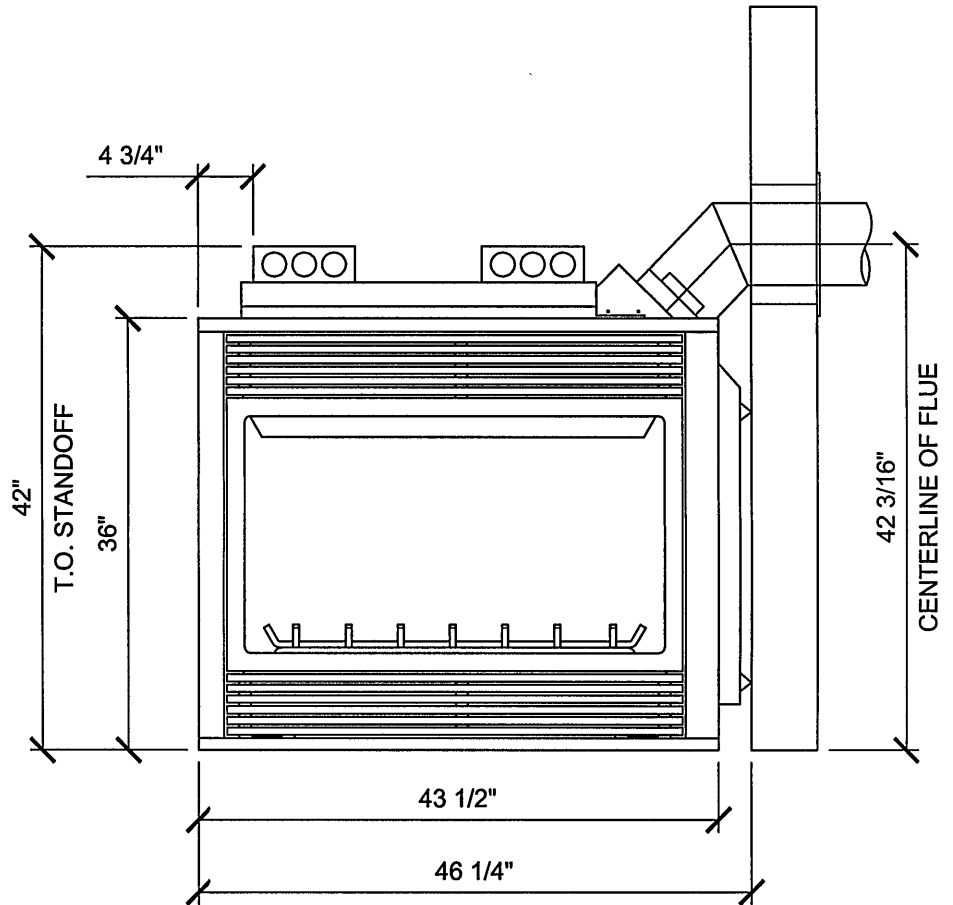
SHEET TITLE:  
**REGENCY PANORAMA P121**

DATE:	FEB. 2005
DRAWN:	J.D.S. Ltd.
DESIGNED:	J.D.S. Ltd.
APPROVED:	

DRAWING No.:	1 of 2
<b>P121</b>	
REV.:	0



RIGHT SIDE VIEW



BACK VIEW



PROJECT TITLE:  
**FPI FIREPLACE PRODUCTS  
 INTERNATIONAL LTD.**

SHEET TITLE:  
**REGENCY PANORAMA P121**

DATE:	FEB, 2005
DRAWN:	U.D.S. Ltd.
DESIGNED:	U.D.S. Ltd.
APPROVED:	

DRAWING No.:	2 of 2
<b>P121</b>	
REV.: 0	