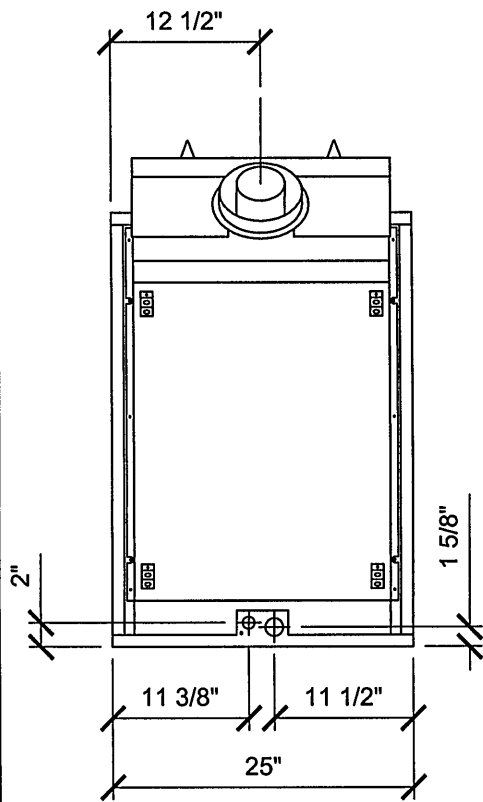
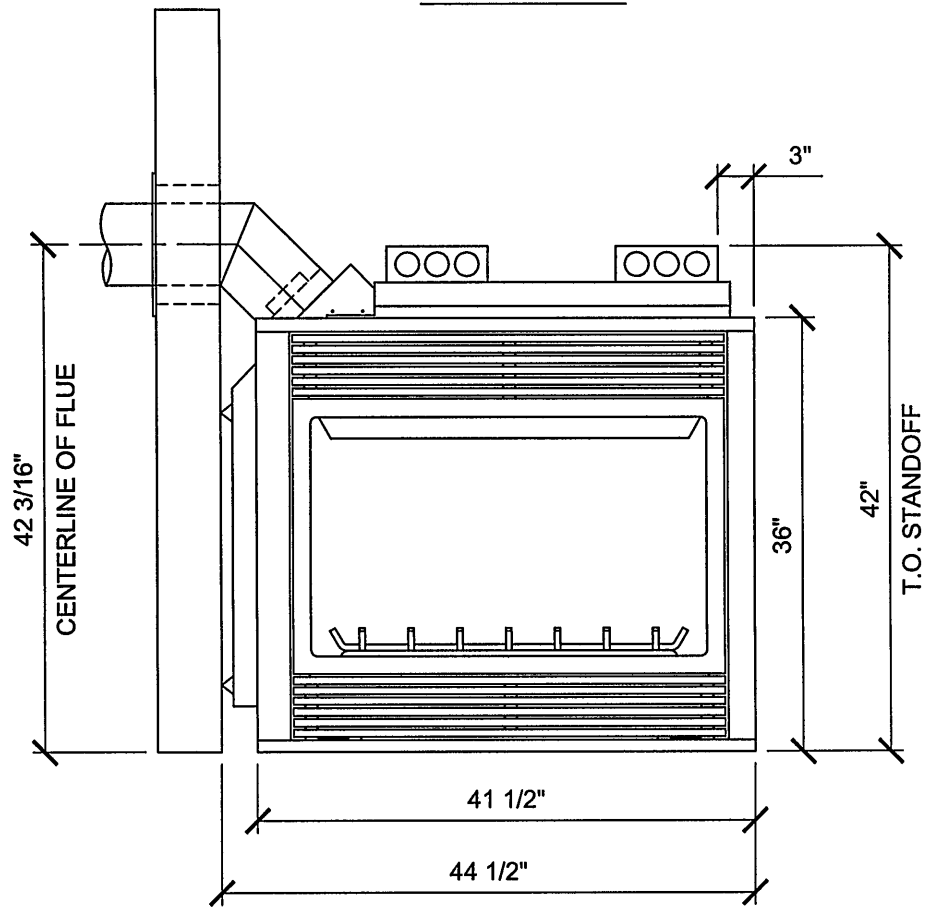


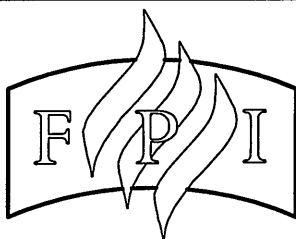
TOP VIEW



LEFT VIEW



FRONT VIEW



PROJECT TITLE:

FPI FIREPLACE PRODUCTS
INTERNATIONAL LTD.

SHEET TITLE:

REGENCY PANORAMA P131

DATE:

FEB. 2005

DRAWN:

U.D.S. Ltd.

DESIGNED:

U.D.S. Ltd.

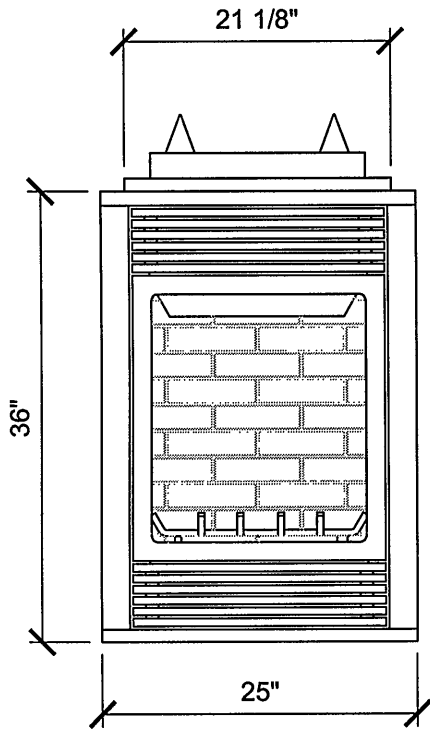
APPROVED:

DRAWING No.:

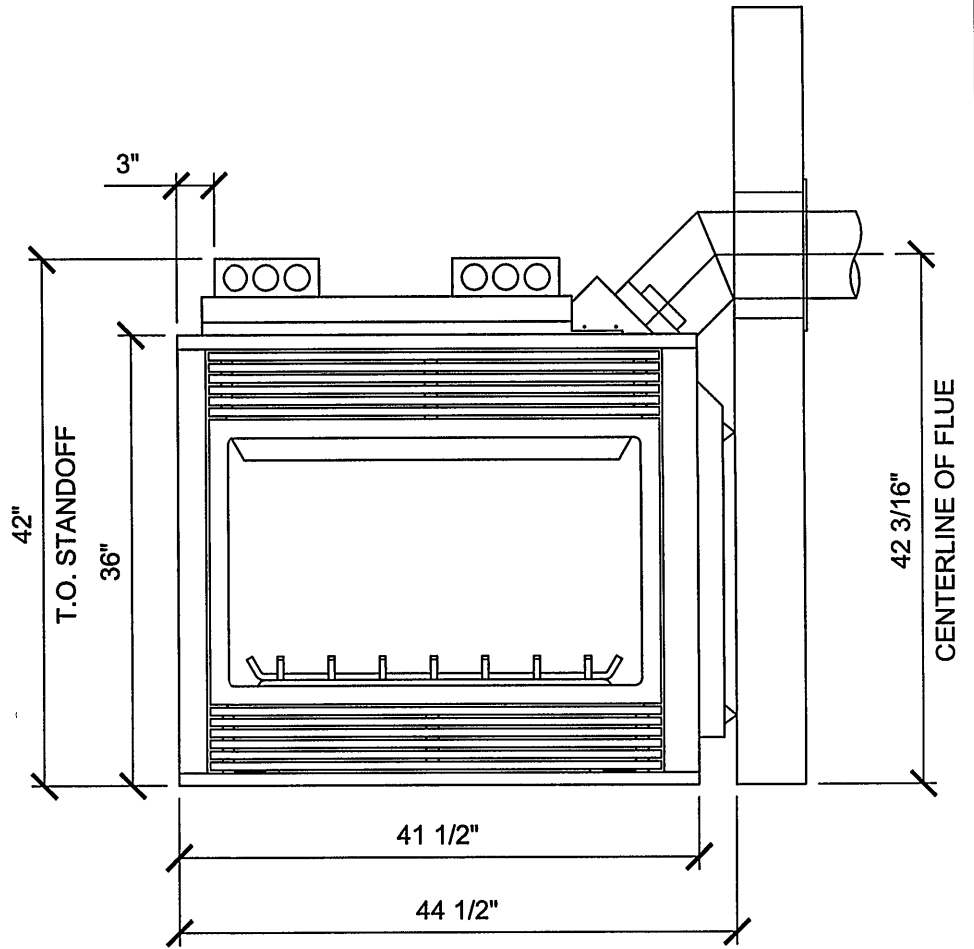
1 of 2

P131

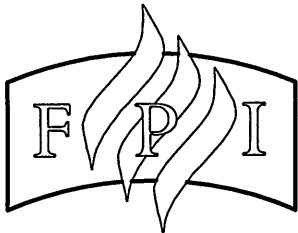
REV.: 0



RIGHT VIEW



BACK VIEW



PROJECT TITLE:

FPI FIREPLACE PRODUCTS
INTERNATIONAL LTD.

SHEET TITLE:

REGENCY PANORAMA P131

DATE: FEB. 2005

DRAWN: U.D.S. Ltd.

DESIGNED: U.D.S. Ltd.

APPROVED:

DRAWING No.: 2 of 2

P131

REV.: 0