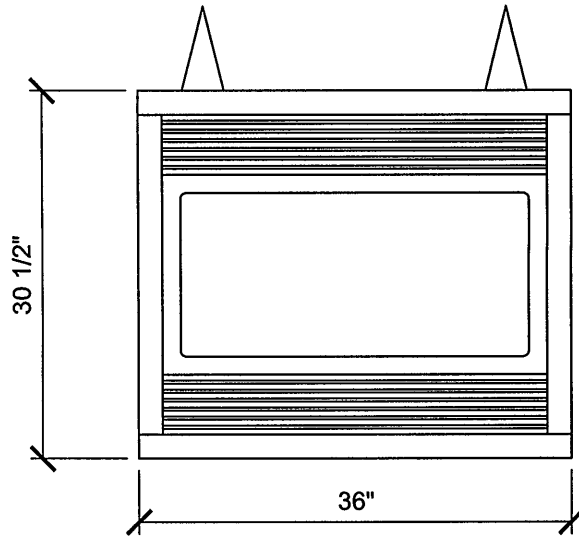
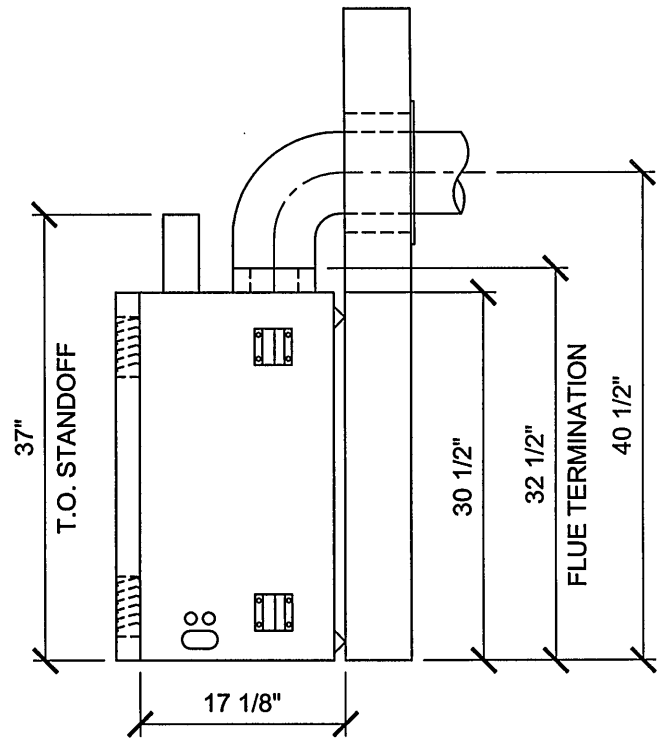


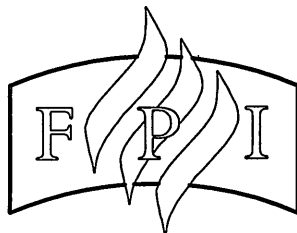
TOP VIEW



FRONT VIEW



SIDE VIEW



PROJECT TITLE:
**FPI FIREPLACE PRODUCTS
 INTERNATIONAL LTD.**

SHEET TITLE:
REGENCY PANORAMA P36D

DATE:	FEB. 2005
DRAWN:	U.D.S. Ltd.
DESIGNED:	U.D.S. Ltd.
APPROVED:	

DRAWING No.:	1 of 1
P36D	
REV.:	0