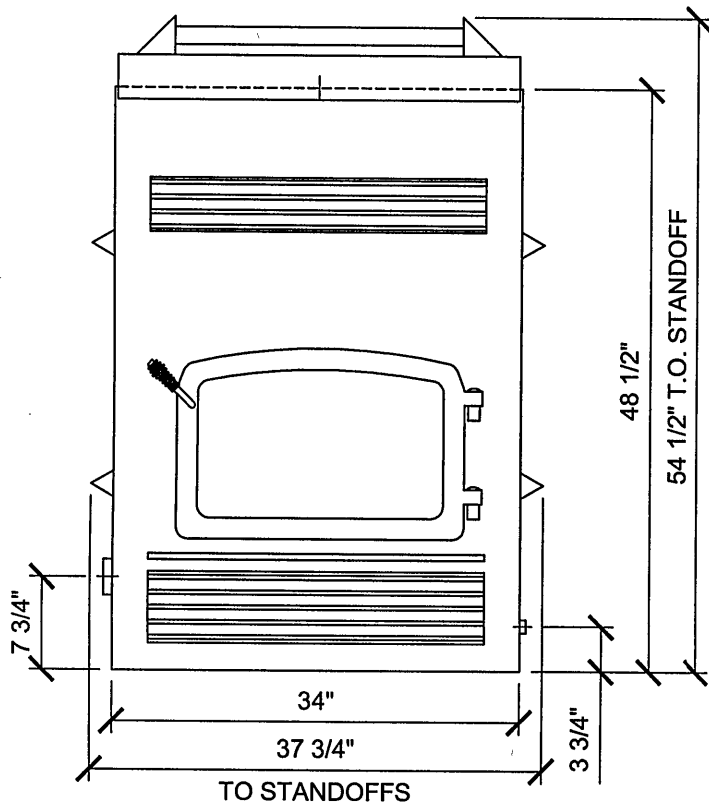
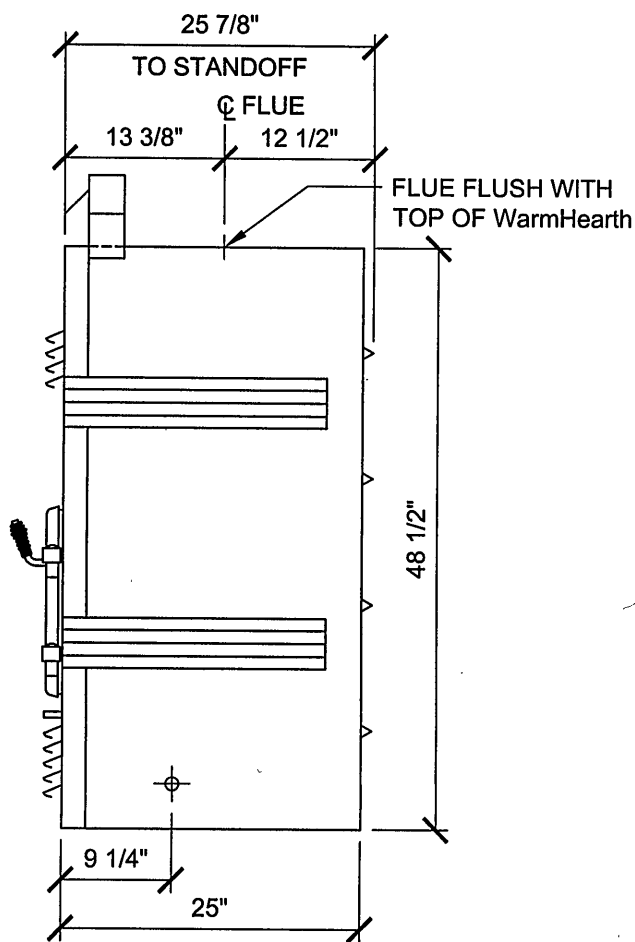


**TOP VIEW**



**FRONT VIEW**



**SIDE VIEW**



PROJECT TITLE:  
**FPI FIREPLACE PRODUCTS  
 INTERNATIONAL LTD.**

SHEET TITLE:  
**REGENCY WOOD WarmHearth**

DATE:	FEB. 2005
DRAWN:	U.D.S. Ltd.
DESIGNED:	U.D.S. Ltd.
APPROVED:	

DRAWING No.: **Z2510** 1 of 1  
 REV.: 0